


WARRANTY

Becton Dickinson Microbiology Systems, (hereinafter referred to as Becton Dickinson) warrants the Agglutination Viewer to be free from defects in workmanship and materials for a period of one (1) year from date of receipt, provided the viewer is used in accordance with the Operating Instructions. During such period, Becton Dickinson agrees to replace or repair any parts which, in its sole judgement, are found to be defective, provided the viewer has not been subjected to misuse or abuse. The warranty stated herein shall extend to the original consumer only and not to any subsequent consumer of the System. Becton Dickinson shall not be liable for any incidental or consequential damages. Becton Dickinson makes no other warranties, expressed or implied, except as stated herein, and disclaims any warranties of merchantability or fitness for a particular purpose.

BECTON DICKINSON AND COMPANY
BECTON DICKINSON MICROBIOLOGY SYSTEMS
7 Loveton Circle, Sparks, MD 21152-0370
Phone 1-800-631-8064

CLAY ADAMS and the  symbol are trademarks of Becton Dickinson and Company.

CLAY ADAMS™



AGGLUTINATION VIEWER

Model 420630


ENVIRONMENTAL REQUIREMENTS

Non-Operating Storage	
Temperature	-20° C to 65° C
Humidity	20% to 85% RH, non-condensing
Operating Conditions	
Temperature	18° C to 33° C
Humidity	20% to 85% RH, non-condensing
Locations	Level surface, No direct sunlight, No direct heat
Altitude	0 to 2,000 M
Installation Category II and Pollution Degree 2 as per IEC 664.	

SYMBOLS USED ON THE EQUIPMENT



Symbol for lamp on/off switch

12 VAC  Symbol for power input jack with electrical ratings
500 mA
50/60 Hz



Symbol for "refer to accompanying documentation"

**BECTON
DICKINSON**

CONTROLS AND CONNECTIONS

The switch located on the side of the base is used to turn the lamp on and off.

The connector on the rear of the base is used to connect the Agglutination Viewer to the wall mounted power supply (12 VAC, 50/60 Hz, 500 mA).

OPERATING INSTRUCTIONS



WARNING

IF THE EQUIPMENT IS USED IN A MANNER NOT SPECIFIED, THE PROTECTION PROVIDED BY THE EQUIPMENT MAY BE IMPAIRED.

WEAR EYE PROTECTION WHEN USING VIEWER.

DO NOT TOUCH LIGHT BULB WHEN UNIT IS OPERATING – IT OPERATES AT HIGH TEMPERATURE. UNIT MUST COOL FOR 5 MINUTES PRIOR TO REMOVING LIGHT COVER.



CAUTION

To avoid electrical hazards and equipment damage, connect the instrument only to the supplied 12 Volt AC power pack using the jack in rear of instrument. Connect the power pack only to a standard 120 Volt AC outlet.

Replace bulb only with an approved bulb (Catalog No. 421484). When replacing, be sure to seat the bulb fully in the socket.

Product contains a strong magnet. Care should be taken when using the Agglutination Viewer near devices that could be affected by a magnetic field.

- ? Position mirror as required by pivoting mirror assembly over magnetic surface of housing.
- ? Position lamp as required above mirror by adjusting "goose neck."
- ? Turn ON power switch, located on right side of instrument by pressing the part of the switch labeled "I".
- ? Observe sample.
- ? Turn lamp OFF when not in use by pressing the part of the switch labeled "O".

MAINTENANCE AND SERVICE



CAUTION

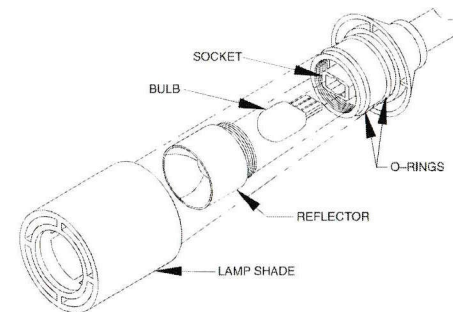
Do not touch bulb with bare hands, as this may cause damage and reduce bulb life. Ensure that bulb is inserted straight and completely into socket. Only touch bulb with a clean dry cloth. Replace bulb only with an approved bulb (Catalog No. 421484). When replacing, be sure to seat the bulb fully in the socket.

Clean the mirror with a lint-free non-abrasive cloth.

Do not immerse unit while cleaning. Clean surface with 10% household bleach.

- 1 UNPLUG POWER CORD AND LET UNIT COOL FOR 5 MINUTES BEFORE TOUCHING BULB.
- 2 Before replacing bulb, be sure lamp is cool. Grasp lamp shade and remove by twisting off of lamp assembly. Remove reflector around bulb by turning counterclockwise. Remove bulb by pulling straight out of socket while grasping goose neck.
- 3 Replace bulb by grasping goose neck and inserting new bulb straight and completely into socket. See cautions above.
- 4 Replace reflector by inserting over bulb and screwing clockwise until hand tight. Replace lamp shade by placing over reflector and twisting over both O-rings until it is fully seated.

For additional assistance, please call Technical Services at 1-800-631-8064.



SPARE PARTS

Item	Catalog Number
5W Bulb	421484
Mirror Assembly	421485
Power Pack	421486